

## DS-2XS6A87G1-L/C32S80(No battery) 4K ColorVu Fixed Bullet Solar Power 4G Network Camera Kit

# ColorVu

## AcuSense



It can be used in the areas that are not suitable for laying wired network and electric supply lines, or used for the scenes that feature tough environment and have high demanding for device stability. It can be used for monitoring the farms, electric power cables, water and river system, oil pipelines and key forest areas. It also can be used in the temporary monitoring scenes, such as the large-scale competitions, the sudden public activity, the temporary traffic control and the city construction. Hikvision ColorVu technology provides 24/7 vivid colorful images with F1.0 advanced lenses and high performance sensors. F1.0 super-aperture collects more light to produce brighter images. Advanced sensor technology can vastly improve the utilization of available light. Empowered by deep learning algorithms, Hikvision AcuSense technology brings human and vehicle targets classification alarms to front- and back-end devices. The system focuses on human and vehicle targets, vastly improving alarm efficiency and effectiveness.

- High quality imaging with 8 MP@ 15fps resolution
- 24/7 Colorful imaging
- Clear imaging against strong back light due to 120 dB true WDR technology
- Focus on human and vehicle targets classification based on deep learning
- 80 W photovoltaic panel, 30 Ah chargeable lithium battery (The battery should be ordered separately.)
- Support battery management, battery display, battery high-low temperature protection, charge-discharge protection, low-battery sleep protection and remote wakeup
- LTE-TDD/LTE-FDD/WCDMA/GSM 4G wireless network transmission, support Micro SIM card
- Camera: Water and dust resistant (IP67)
- Built-in 64 GB eMMC storage



## ▪ Specification

<b>Camera</b>	
Image Sensor	1/1.2" Progressive Scan CMOS
Min. Illumination	Color: 0.0005 Lux @ (F1.0, AGC ON), B/W: 0 Lux with white light
Max. Resolution	3840 × 2160
Shutter Time	1 s to 1/100,000 s
<b>Lens</b>	
Focal Length & FOV	2.8 mm, horizontal FOV: 101.6°, vertical FOV: 52.4°, diagonal FOV: 124° 4 mm, horizontal FOV: 88.2°, vertical FOV: 48.7°, diagonal FOV: 101.8°
Lens Type	Fixed focal lens, 2.8 and 4 mm optional
Iris Type	Fixed
Aperture	F1.0
Lens Mount	M20
<b>DORI</b>	
DORI	2.8 mm: D: 44 m, O: 17.5 m, R: 9 m, I: 4.5 m 4 mm: D: 53 m, O: 21 m, R: 11 m, I: 5 m
<b>Illuminator</b>	
Supplement Light Type	White Light
Supplement Light Range	Up to 30 m
Smart Supplement Light	Yes
<b>Video</b>	
Main Stream	50 Hz: 12.5 fps (3840 × 2160, 2688 × 1520, 1920 × 1080, 1280 × 720) 60 Hz: 15 fps (3840 × 2160, 2688 × 1520, 1920 × 1080, 1280 × 720)
Sub-Stream	50 Hz: 12.5 fps (640 × 480, 640 × 360) 60 Hz: 15 fps (640 × 480, 640 × 360)
Video Compression	Main stream: H.265 Sub-stream: H.265/MJPEG *Full power mode: main stream supports H.265+
Video Bit Rate	32 Kbps to 16 Mbps
H.265 Type	Main Profile
Bit Rate Control	CBR/VBR
Scalable Video Coding (SVC)	H.265 encoding
Region of Interest (ROI)	4 fixed regions for main stream
<b>Network</b>	
Simultaneous Live View	Up to 6 channels
API	Open Network Video Interface (Profile S, Profile G, Profile T), ISAPI, SDK, ISUP
Protocols	TCP/IP, ICMP, HTTP, HTTPS, FTP, DHCP, DNS, DDNS, RTP, RTSP, RTCP, NTP, UPnP, SMTP, SNMP, IGMP, 802.1X, QoS, IPv6, UDP, Bonjour, SSL/TLS
User/Host	Up to 32 users. 3 user levels: administrator, operator and user
Security	Password protection, complicated password, HTTPS encryption, 802.1X authentication (EAP-MD5), watermark, IP address filter, basic and digest authentication for HTTP/HTTPS, WSSE and digest authentication for Open Network Video Interface, RTP/RTSP over HTTPS, control timeout settings, TLS 1.2

Network Storage	NAS (NFS, SMB/CIFS), auto network replenishment (ANR) Together with high-end Hikvision memory card, memory card encryption and health detection are supported.
Client	Hik-Connect (low power mode also supports), Hik-central Professional
Web Browser	Plug-in required live view: IE 10+ Plug-in free live view: Chrome 57.0+, Firefox 52.0+ Local service: Chrome 57.0+, Firefox 52.0+
<b>Mobile Communication</b>	
SIM Card Type	MicroSIM
Frequency	<p>DS-2XS6A87G1-L/C32S80: LTE-TDD: Band38/40/41 LTE-FDD: Band1/3/5/7/8/20/28 WCDMA: Band1/5/8 GSM: Band3/5/8</p> <p>DS-2XS6A87G1-L/C32S80 (US): LTE-FDD: Band2/4/5/12/13/17/66/71 WCDMA: Band2/4/5</p> <p>DS-2XS6A87G1-L/C32S80 (LA): LTE-TDD: Band38/40 LTE-FDD: Band1/2/3/4/5/7/8/12/17/20/28/66 WCDMA: Band1/2/3/4/5/8 GSM: Band2/3/5/8</p> <p>DS-2XS6A87G1-L/C32S80 (JP): LTE-TDD: Band41 LTE-FDD: Band1/3/8/11/18/19/21/26/28 WCDMA: Band1/8</p>
Standard	<p>DS-2XS6A87G1-L/C32S80: LTE-TDD/LTE-FDD/WCDMA/GSM</p> <p>DS-2XS6A87G1-L/C32S80 (US): LTE-FDD/WCDMA</p> <p>DS-2XS6A87G1-L/C32S80 (LA): LTE-TDD/LTE-FDD/WCDMA/GSM</p> <p>DS-2XS6A87G1-L/C32S80 (JP): LTE-TDD/LTE-FDD/WCDMA</p>
<b>Image</b>	
Wide Dynamic Range (WDR)	120 dB
Day/Night Switch	Day, Night, Auto, Schedule
Image Enhancement	BLC, HLC, 3D DNR
Image Parameters Switch	Yes
Image Settings	Saturation, brightness, contrast, sharpness, gain, white balance adjustable by client software or web browser
SNR	≥ 52 dB
Privacy Mask	4 programmable polygon privacy masks
<b>Interface</b>	
RS-485	1 RS-485 (half duplex)
On-Board Storage	Built-in memory card slot, support microSD card, up to 256 GB; Built-in 64 GB eMMC storage

Reset Key	Yes
Ethernet Interface	1 RJ45 10 M/100 M self-adaptive Ethernet port
<b>Event</b>	
Basic Event	Motion detection, video tampering alarm, exception (network disconnected, IP address conflict, illegal login, HDD full, HDD error)
Smart Event	Line crossing detection, up to 4 regions configurable Intrusion detection, up to 4 regions configurable Region entrance detection, up to 4 regions configurable Region exiting detection, up to 4 regions configurable Unattended baggage detection, up to 4 regions configurable Object removal detection, up to 4 regions configurable, The smart events are only supported under full power mode.
Linkage	Upload to FTP/NAS/memory card, notify surveillance center, send email, trigger recording, trigger capture
<b>General</b>	
Power	12 VDC $\pm$ 20%, $\varnothing$ 5.5 mm coaxial power plug 1. Standby power consumption: 53 mW 2. The average power consumption of 24 hours: 2 W (4G transmission is excluded). 3. The max. power consumption: 3.2 W
Material	Front cover: metal, body: metal, bracket: metal
Dimension	829.9 $\times$ 696.3 $\times$ 760 mm (32.7" $\times$ 27.4" $\times$ 30") (Max. size of the camera after it is completely assembled)
Package Dimension	862 $\times$ 292 $\times$ 765 mm (33.9" $\times$ 10.3" $\times$ 30.1")
Weight	Approx. 25.4 kg (56.0 lb.)
With Package Weight	Approx. 30.1 kg (66.3 lb.)
Storage Conditions	-20 $^{\circ}$ C to 60 $^{\circ}$ C (-4 $^{\circ}$ F to 131 $^{\circ}$ F). Humidity 95% or less (non-condensing)
Startup and Operating Conditions	-20 $^{\circ}$ C to 60 $^{\circ}$ C (-4 $^{\circ}$ F to 131 $^{\circ}$ F). Humidity 95% or less (non-condensing)
Language	33 languages: English, Russian, Estonian, Bulgarian, Hungarian, Greek, German, Italian, Czech, Slovak, French, Polish, Dutch, Portuguese, Spanish, Romanian, Danish, Swedish, Norwegian, Finnish, Croatian, Slovenian, Serbian, Turkish, Korean, Traditional Chinese, Thai, Vietnamese, Japanese, Latvian, Lithuanian, Portuguese (Brazil), Ukrainian
General Function	Anti-flicker, heartbeat, mirror, privacy masks, flash log, password reset via email, pixel counter
<b>Battery</b>	
Battery Type	Lithium *The battery should be ordered separately.
Capacity	30 Ah
Max. Charging Voltage	12.6 V
Battery Voltage	10.8 V
Operating Temperature	Charging: -20 $^{\circ}$ C to 45 $^{\circ}$ C (-4 $^{\circ}$ F to 131 $^{\circ}$ F) Discharging: -20 $^{\circ}$ C to 60 $^{\circ}$ C (-4 $^{\circ}$ F to 140 $^{\circ}$ F)
Battery Life	More than 500 cycles
Battery Weight	Approx. 3.3 kg (7.3 lb.)
Extended Dimension	236 $\times$ 154 $\times$ 80 mm (9.3" $\times$ 6.1" $\times$ 3.2")

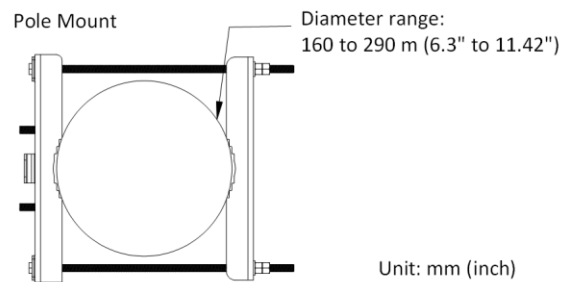
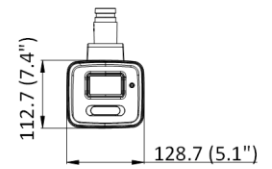
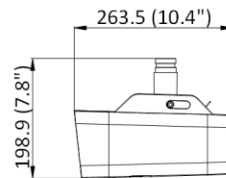
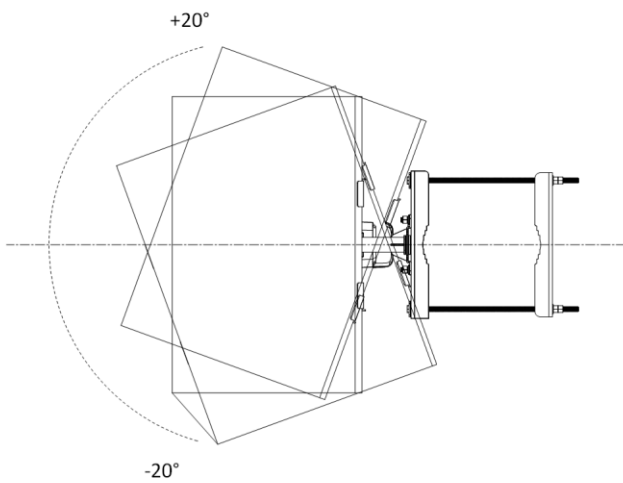
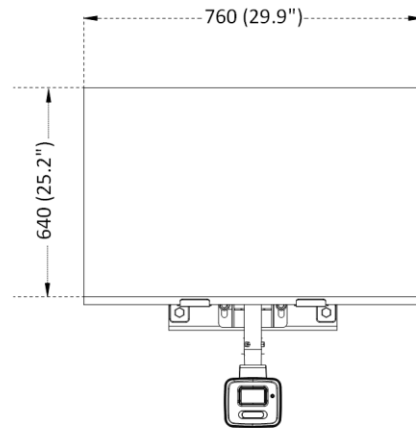
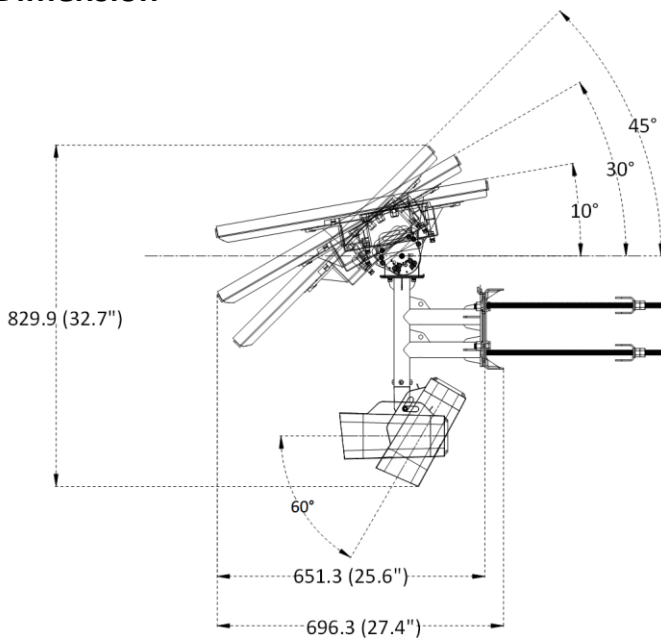
Approval	
EMC	CE-EMC (EN 55032: 2015, EN 61000-3-2:2019, EN 61000-3-3: 2013+A1:2019, EN 50130-4: 2011+A1: 2014); RCM (AS/NZS CISPR 32: 2015); FCC (47 CFR Part 15, Subpart B); IC (ICES-003: Issue 7)
RF	CE: CE-RED (EN 301908-1,EN 301908-2,EN 301908-13, EN 301511,EN 301489-1,EN 301489-52,EN 62133); ICASA: same as CE-RED FCC ID (47 CFR Part15 Subpart C); IC ID (RSS-132 Issue 3, RSS-133 Issue 6, RSS-139 Issue 3, RSS-130 Issue 2, RSS-102 Issue 5); MIC (Article 49-6-4 and 49-6-5 the relevant articles and MIC Notice No. 1299 of the Ordinance Regulating Radio Equipment)
Safety	CB (IEC 62368-1:2014+A11) CE-LVD (EN 62368-1:2014/A11:2017) LOA (IEC/EN 60950-1)
Environment	CE-RoHS (2011/65/EU); WEEE (2012/19/EU); Reach (Regulation (EC) No 1907/2006)
Protection	Camera: IP67 (IEC 60529-2013) Wind resistance 12 level

*\*The battery should be ordered separately.*

### ▪ Available Model

DS-2XS6A87G1-L/C32S80(No battery) (2.8/4 mm)

▪ **Dimension**



Unit: mm (inch)

▪ **Accessory**

▪ **Optional**

**DS-2FSCH30**

**Lithium Battery**



Distributed by

**HIKVISION®****Headquarters**

No.555 Qianmo Road, Binjiang District,  
Hangzhou 310051, China  
T +86-571-8807-5998  
overseasbusiness@hikvision.com

**Hikvision USA**  
T +1-909-895-0400  
sales.usa@hikvision.com

**Hikvision Australia**  
T +61-2-8599-4233  
salesau@hikvision.com

**Hikvision India**  
T +91-22-28469900  
sales@pramahikvision.com

**Hikvision Canada**  
T +1-866-200-6690  
sales.canada@hikvision.com

**Hikvision Thailand**  
T +662-275-9949  
sales.thailand@hikvision.com

**Hikvision Europe**  
T +31-23-5542770  
sales.eu@hikvision.com

**Hikvision Italy**  
T +39-0438-6902  
info.it@hikvision.com

**Hikvision Brazil**  
T +55 11 3318-0050  
Latam.support@hikvision.com

**Hikvision Turkey**  
T +90 (216)521 7070- 7074  
sales.tr@hikvision.com

**Hikvision Malaysia**  
T +601-7652-2413  
sales.my@hikvision.com

**Hikvision UK & Ireland**  
T +01628-902140  
sales.uk@hikvision.com

**Hikvision South Africa**  
Tel: +27 (10) 0351172  
sale.africa@hikvision.com

**Hikvision France**  
T +33(0)1-85-330-450  
info.fr@hikvision.com

**Hikvision Kazakhstan**  
T +7-727-9730667  
nikia.panfilov@hikvision.ru

**Hikvision Vietnam**  
T +84-974270888  
sales.vt@hikvision.com

**Hikvision UAE**  
T +971-4-4432090  
salesme@hikvision.com

**Hikvision Singapore**  
T +65-6684-4718  
sg@hikvision.com

**Hikvision Spain**  
T +34-91-737-16-55  
info.es@hikvision.com

**Hikvision Tashkent**  
T +99-87-1238-9438  
uzb@hikvision.ru

**Hikvision Hong Kong**  
T +852-2151-1761  
info.hk@hikvision.com

**Hikvision Russia**  
T +7-495-669-67-99  
saleru@hikvision.com

**Hikvision Korea**  
T +82-(0)31-731-8817  
sales.korea@hikvision.com

**Hikvision Poland**  
T +48-22-460-01-50  
info.pl@hikvision.com

**Hikvision Indonesia**  
T +62-21-2933759  
Sales.Indonesia@hikvision.com

**Hikvision Colombia**  
sales.colombia@hikvision.com