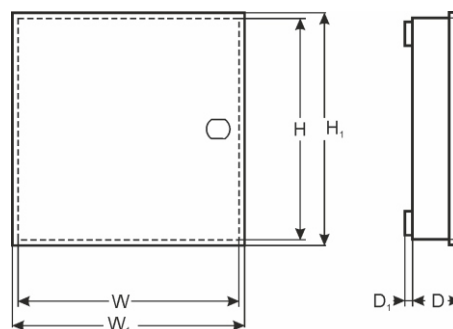


CODE: **AWO150 v1.8/IV**
 NAME: **7/TRP40/DSPR**



DESTINATION

DSC: (PC 1404, 1616, 1832, 1864, 4020, HS2016, HS2032, HS2064, HS2128) + 5108 (4108, 5208, 5100, 4116, HSM2108, HSM2208)

MODULES: 5 x (4108, 5108, 5208, 5100, 4116, HSM2108, HSM2208)

1x(4204, 4216, 4580, 5400, 5204, 5580, 5200, GSM/GPRS 3G2060, GSM/GPRS TL260GS, GSM/HSPA 3G2080E, GSM/HSPATL2803GE)

PARADOX: (728ULT, E55, E65, SP5500, SP6000, SP7000, EVO48, EVO192) + ZX8 (ZX4, PGM4)

MODULES: 2x (ZX8, ZX4, APR3- HUB2, PGM4)

1x (APR3-ADM2)

RISCO: PRO24 + EZ16 (E04, EZ8)

PRO116, 128, 140

MODULES: 2x EZ16 (E04, EZ8)

SATEL: CA4V1, CA5, CA6

(VERSA5,10, 15, CA10)+ CA10E (CA64E, SM, MST1)

(INTEGRA24, 32) + CA64E, (SM)

MODULES: CA64 (PP, EPS, ADR, O-R, O-ROC, O-OC, OPS- OC, OPS- R, OPS- ROC, VGM- 16, SR, PTSA) + CA64E (SM)

PYRONIX: MATRIX 424, 6, 816, 832, 832+

CROW: RUNNER 4,8

TELMOR: TCA- 824

ROEL: SIGMA6,12, CERBER

ROGER: PR402, CPR 32- SE

EBS: PX 202A

PULSAR: MS1012, MSR1012, MSRK1012

MS2012, MSR2012, MSRK2012

TECHNICAL DATA

External dimensions of the enclosure:	W=280, H=290, D+D1=80+8 [+/-2 mm]
External dimensions of the front panel:	W1=285, H1=295 [+/-2 mm]
Weight net/gross:	2,60kg / 2,80kg [+/-0,1kg]
Battery space:	7Ah/12V Sealed Lead Acid (SLA)
Transformer:	TRP 40VA/16V/18V in the case of PC/ABC in class UL94-V0, IP30
Power supply	230 V (-15%/+10%), 50Hz, 200mA (max.)
Power supply output:	U1=16V AC or U2=18V AC (-5%, +15%), I1=2,2 A or I2=2,0 A (max.)
Operating environment:	class II, -10°C+ 40°C
Material description:	sheet steel DC01, thickness: 0,7mm, protection anticorrosion, color: RAL 9003
Destination:	indoor
Tamper protection:	1 x microswitch: opening, 0,5 A@50 V DC max. NC
Closing:	screwed x 4
Notes:	optional: lockable, distance from wall (mounting surface) - 8mm, easy door removal
Declaration, warranty:	CE, 2 year from the production date