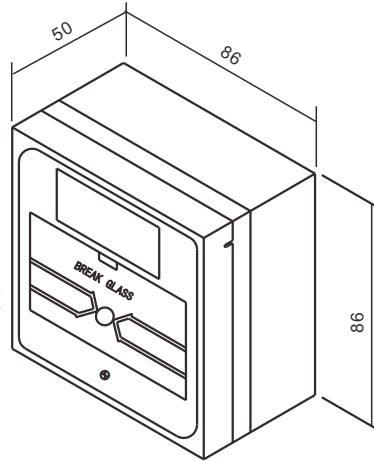


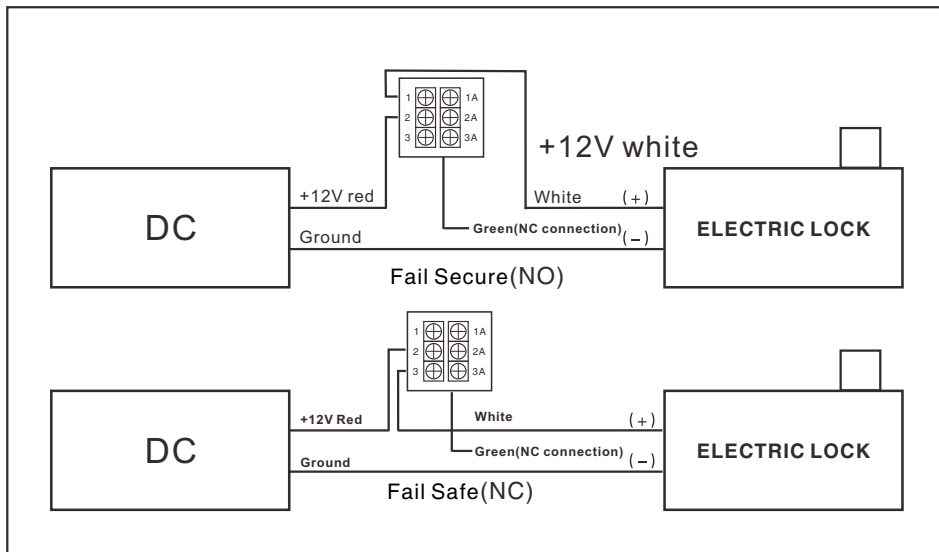
# Break Glass Fire Emergency Exit Release

## SPECIFICATION

- Size: 86Lx86Wx50H(mm)
- Current Rating: 3A @ 36VDC Max
- Suitable for Door: Exit Door, Emergence Door
- Material Selection: Fireproof Material, Sandblast Finished
- Standard Structure: Fireproof Material, Easy to install.
- Output Contact: NO/NC/COM & NO/NC/COM
- Aptional Accessories: Glass, Cover
- Color:A.green B.orange C.red D.white
- Weight: 0.2kg



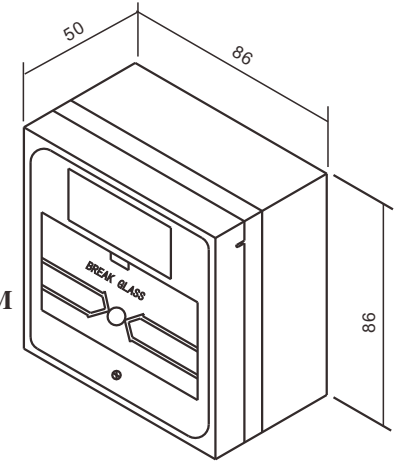
## WIRING DIAGRAM



# Break Glass Fire Emergency Exit Release

## SPECIFICATION

- Size: 86Lx86Wx50H(mm)
- Current Rating: 3A @ 36VDC Max
- Suitable for Door: Exit Door, Emergence Door
- Material Selection: Fireproof Material, Sandblast Finished
- Standard Structure: Fireproof Material, Easy to install.
- Output Contact: NO/NC/COM & NO/NC/COM
- Aptional Accessories: Glass, Cover
- Color:A.green B.orange C.red D.white
- Weight: 0.2kg



## WIRING DIAGRAM

