

[Terms & Conditions](#)
© 2015 Tane Alarm Products

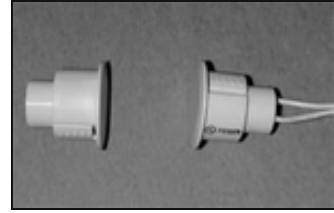
[Print](#) [Close](#)



Recessed Contacts

SD-70/SD-80 - 3/4" and 1" Diameter Contact and Magnet (Steel Door) - New Stubby Style with 1 1/2" Gap

- Rugged one piece construction (No need for extra donut adapters)
- For standard and tighter fitting applications
- Sensitive "No stick" UL rhodium reed
- Long leads bent to keep solder off the glass of the reed
- Two Solder points on 22 AWG 7 stranded UL Wire
- Thick plastic shell to prevent crushing
- 12" leads std. Longer leads available.



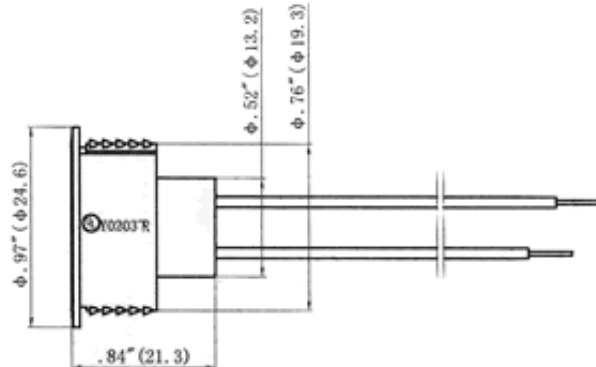
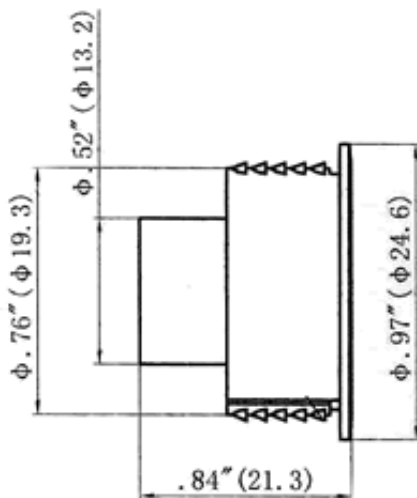
ALNICO MAGNETS

As a result of rare earth minerals rising over 200% in the first half of 2011, TANE ALARM PRODUCTS is moving back to the industry standard ALNICO MAGNETS, which we sold for the first 15 of our 25 years in business. The shorter length rare earth magnets will still be available at a premium, with prices dependent on the commodity pricing of rare earth minerals at the time of the sale.

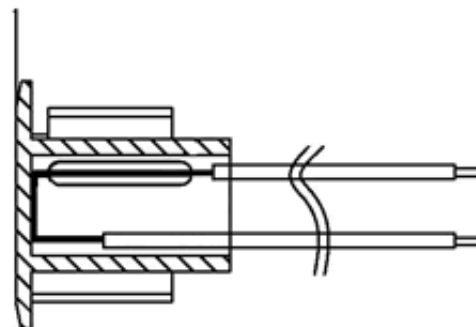
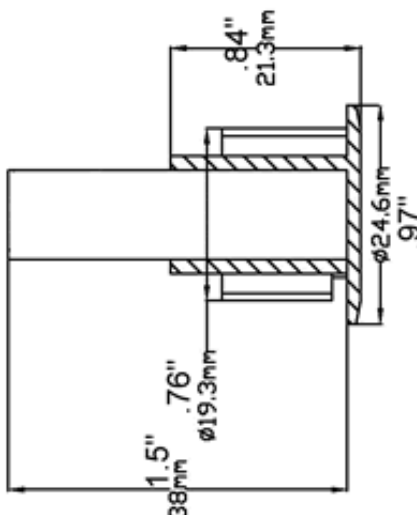
Product Specifications

Magnet Assembly
SD-70 Stubby Style
W/ RARE EARTH MAGNET

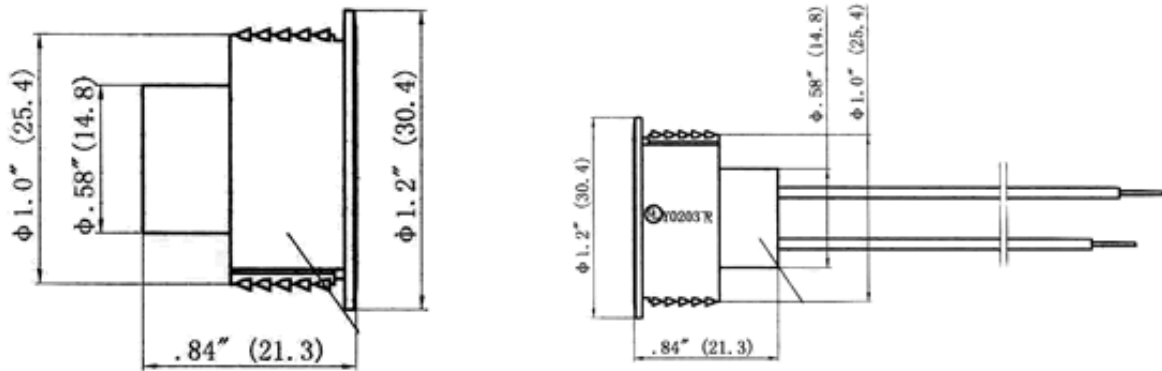
Contact Assembly



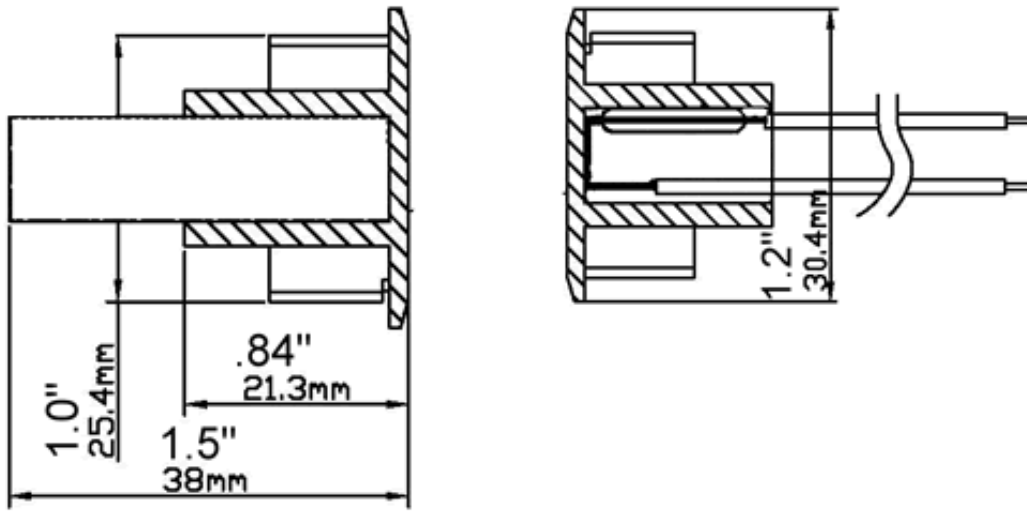
SD-70AL Standard Style (Best Value)
W/ ALNICO Magnet



**SD-80 Stubby Style
W/ RARE EARTH MAGNET**



**SD-80AL Standard Style (Best Value)
W/ ALNICO MAGNET**



Ordering Information 3/8" Press Fit Magnets Available

Size	Closed Loop	Open Loop	SPDT	DPDT 6 Wire	Closed Loop & Bare Magnet
3/4" Dia x .80	SD-70 SD-70AL	SD-71B SD-71BAL	SD-72C SD-72CAL	SD-74C SD-74CAL	SD-70 WG 3/8" x 3/4" Magnet
1" Dia x .80	SD-80 SD-80AL	SD-81B SD-81AL	SD-82C SD-82CAL	SD-84C SD-84CAL	SD-80 WG 3/8" x 3/4" Magnet

Available in Brown or White, 12" Leads - 22 AWG Std. Long Leads Available. For Resistor, add "R" for Resistor + Value to part number

[Terms & Conditions](#)
© 2015 Tane Alarm Products

[Print](#) [Close](#)